

# Aquarian Shower and Bathboards

## Instructions for the safe fitting and use of Aquarian Shower and Bathboards

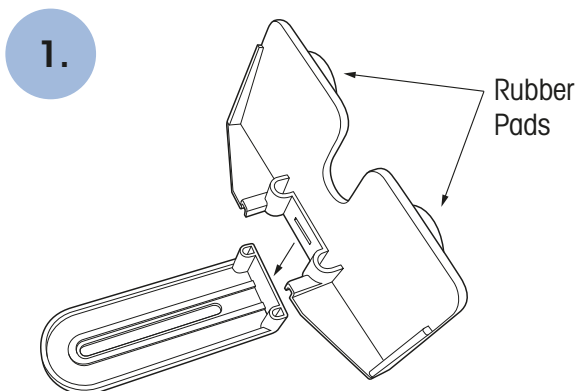
- Code ASB6226 230x660mm
- Code ASB6227 230x685mm
- Code ASB6228 230x710mm
- Code AQS6626 350x660mm
- Code AQS6627 350x685mm
- Code AQS6628 350x710mm



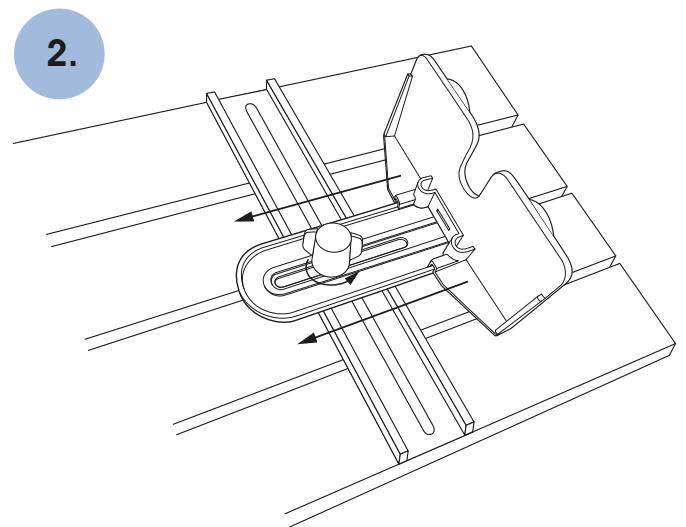
### Important Notes

**A risk assessment must be carried out as to the suitability of this product particularly with new users.**

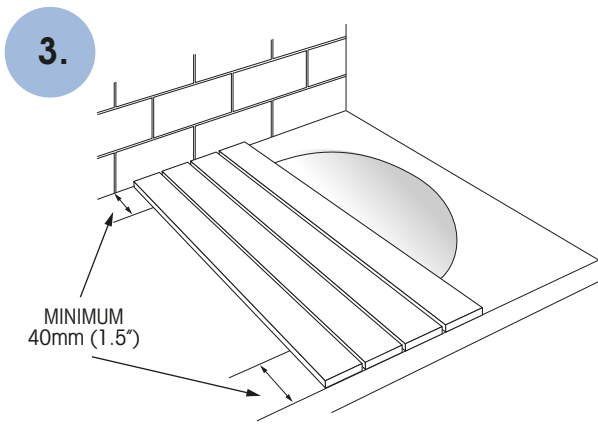
- Make sure your Aquarian Bathboard is the correct length for the width of your bath.
- The Bathboard must not overhang the edge of the bath by more than 20mm, and there must be at least 40mm of the Bathboard supported by the on either side of the bath.
- Always make sure that your Aquarian Bathboard is fixed securely before use.
- It is particularly important that there is no lateral movement.
- Locate the Bathboard where the bath is straight, not tapered.



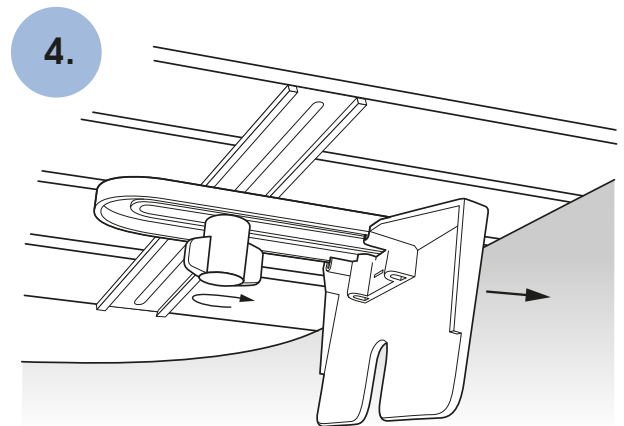
The cleats are supplied in two parts and must be clipped together and attached to the Bathboard before fitting. The rubber pads on the cleats must face outwards to make firm contact with the sides of the bath to ensure a firm fitting. This applies to both cleats.



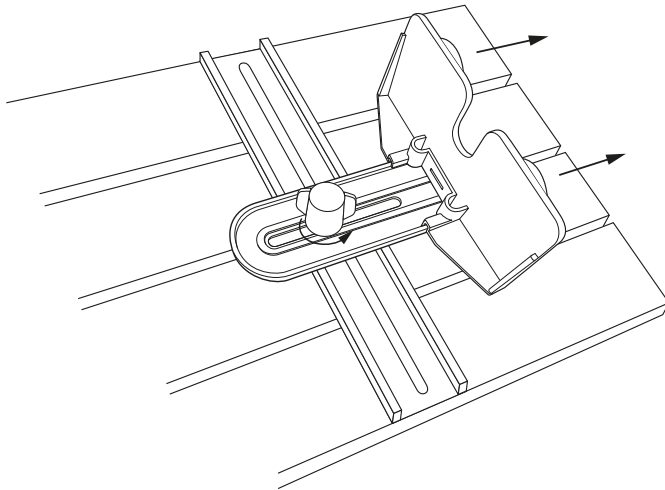
Loosen the wing screws and move the cleats towards the centre of the board for the narrowest fitting.



Place the board across the bath at the position where it is to be used, with the cleats on the underside. The rim of the bath must support at least 40mm (1.5") of the end of the board, on both sides of the bath.



Reach under the board and push the cleats outwards until they touch the inside walls of the bath, then tighten the wingscrews.



**5.**

Remove the board from the bath, turn it over and rest it on a flat surface. Loosen one of the wingscrews sufficiently to allow the cleat to be moved out by one notch, then re-tighten the wingscrew. Replace the board on the bath the correct way up.

**6.**

Your bathboard should be firm with no lateral movement. If there is any movement, repeat step 5) until you are satisfied with the fitting.

**Note: The board should be checked for safe fitting each time it is used.**

**Cleaning:**

May be steam cleaned or Autoclaved for 3 minutes at 60°C.

Bathrooms can be a source of infections, therefore clean regularly with a solution of mild detergent and household disinfectant in warm water applied with a damp sponge.

Dry thoroughly. Do not clean with harsh abrasives.

Warranted to specification for one year

**Questions / comments**, please contact our customer services department on: **01276 677888**



Manufactured for SmitCare

SmitCare, 14 Camberley Business Centre, Bracebridge, Camberley, Surrey, GU15 3DP  
Tel: 01276 677888 E-mail: sales@smitcare.co.uk Website: www.smitcare.co.uk