

Myco Ultra Swivel Bather Corner Cradle

Product code: MUSB/CC

This product may only be used with the Myco Ultra Swivel Bather, product code MUSB.

Range of adjustment: 810mm to 1140mm (32" to 45")

Seat height above bath: 90mm (3.5")

Maximum user weight: 25 stone (160Kg)

160 KG
25 STONE
WEIGHT LIMIT

Overview

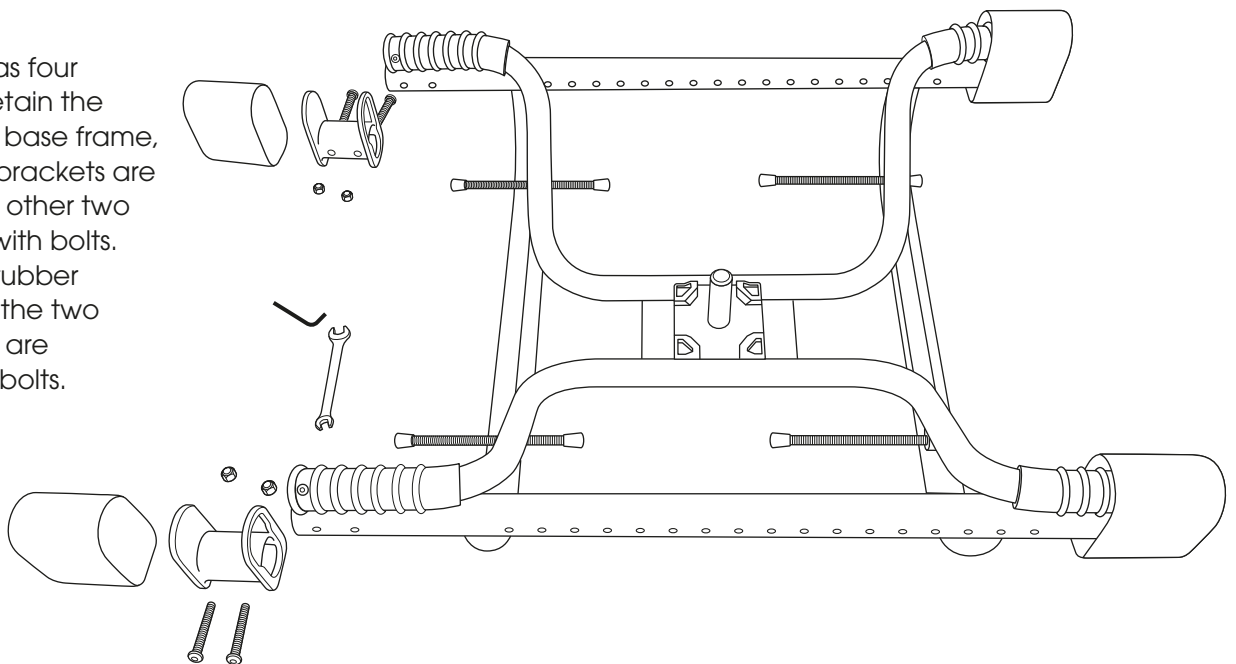
The Myco Corner Cradle has been developed to allow the Myco Ultra Swivel Bather to be fitted to P-shaped, L-shaped or corner baths.

The Swivel Bather is secured to the Cradle, then the extension bars adjusted to an appropriate length to span the bath and provide sufficient support. It is important that the four contact points of the Cradle are on the same level and supported by at least 40mm (1.5") of the rim of the bath.

If using with P-shaped or L-shaped baths, the shower screen will not be able to close on the bath, because the Cradle will rest on the bath rim. Corner baths do not usually have shower screens.

Fitting

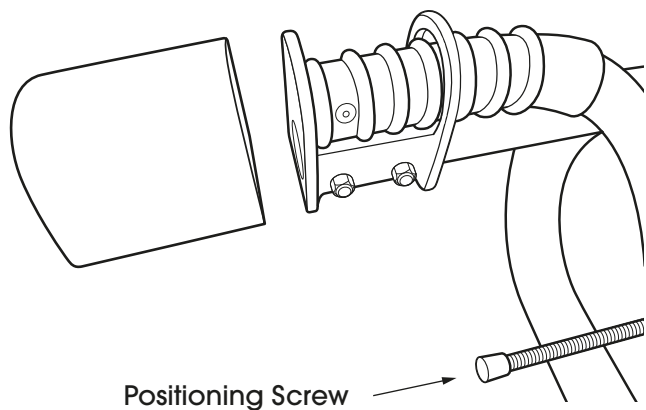
The Cradle has four brackets to retain the Swivel Bather base frame, two of these brackets are fixed and the other two are secured with bolts. Remove the rubber sleeves, then the two brackets that are secured with bolts.



Separate the Swivel Bather base frame and seat, then adjust the width of the Swivel Bather base frame to 665mm (26 1/4"). In most cases this will be the minimum width the base frame will adjust to, however there may be manufacturing tolerances.

Slide the Swivel Bather base frame in to the fixed brackets of the Cradle. Ensure they are pushed in as far as they will go.

Take the loose brackets and slide them over the other end of the Cradle and base frame, then secure in place with two bolts & nuts per bracket. The bolt thread should just protrude through the nyloc nut.

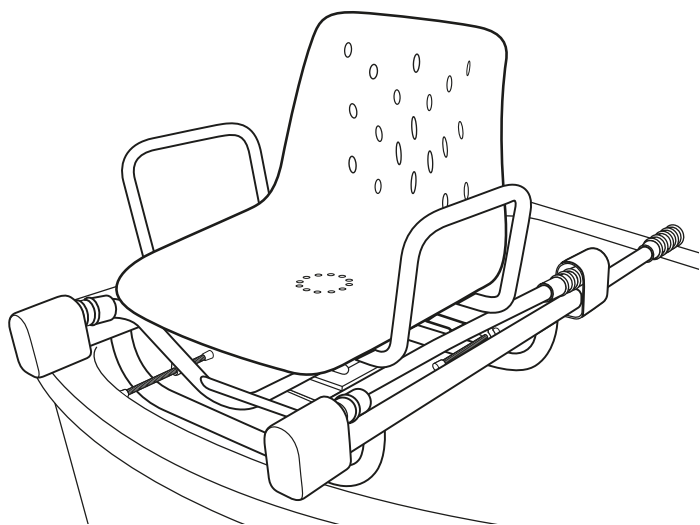
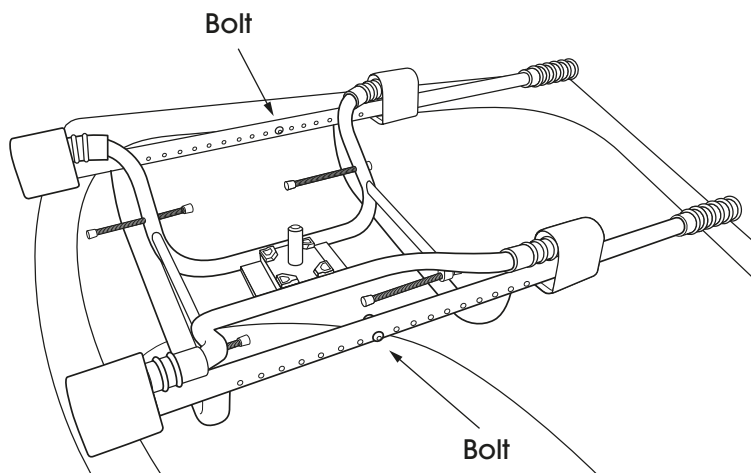


Replace the rubber covers over the brackets that have just been secured.

Locate the extension tubes and insert them into the Cradle.

Place the Cradle on the bath in the desired position and adjust the two extension tubes until they make contact with the wall. Once the desired position is achieved and the extension tubes are adjusted, secure them by inserting the bolts and nuts supplied.

The two Positioning Screws of the Swivel Bather must be extended until they just touch the inside wall of the bath and prevent the Cradle moving. They should not be extended so much that they put excessive pressure on the wall of the bath.



The two Positioning Screws facing in to the bath can either be adjusted so that they are out of the way, or removed. They will not perform any function.

Ensure that the Cradle is securely sited on the bath and cannot move in any direction.

Put the seat unit on to the Swivel Bather pin.

ISO 17966 Compliant

Cleaning:

The Corner Cradle should be cleaned regularly with a solution of mild detergent and household disinfectant in warm water. Do not use abrasive cleaning products.